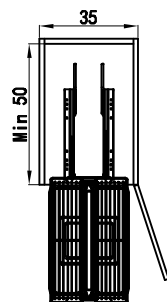


This instruction is fit for the follow product

Name	Cabinet	Size
Clear-liquid rack	350 mm	270*470*320



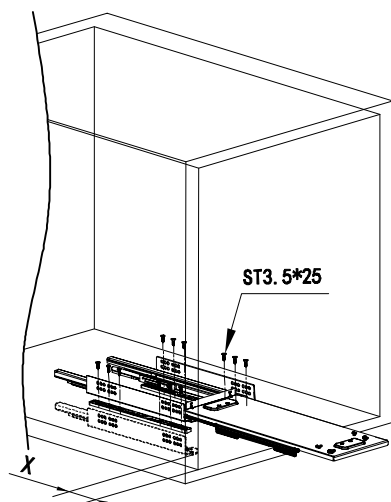
Name	picture	Qty
bottom part		1
support		1
basket		2
M5*10 Screw		4

Hettich slider		
Name	picture	Qty
slider(16"/18")		1 pair
Stepping bar		2
ST3. 5*25 Tapping Screw		12

Angas slider		
Name	picture	Qty
slider(16"/18")		1 pair
ST3. 5*16 Tapping Screw		12

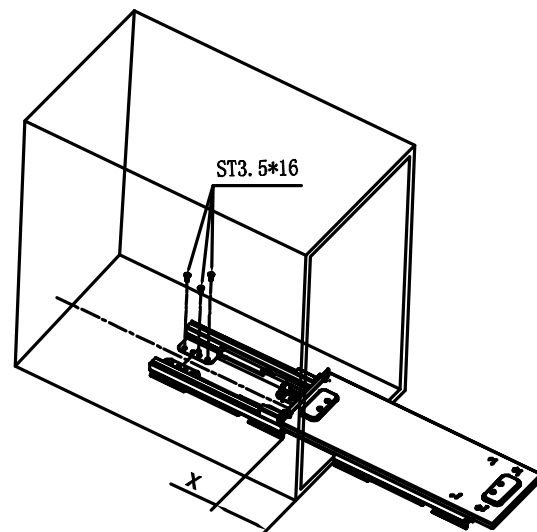
Step1: Install the slider.

a. Hettich slider (16"/18")



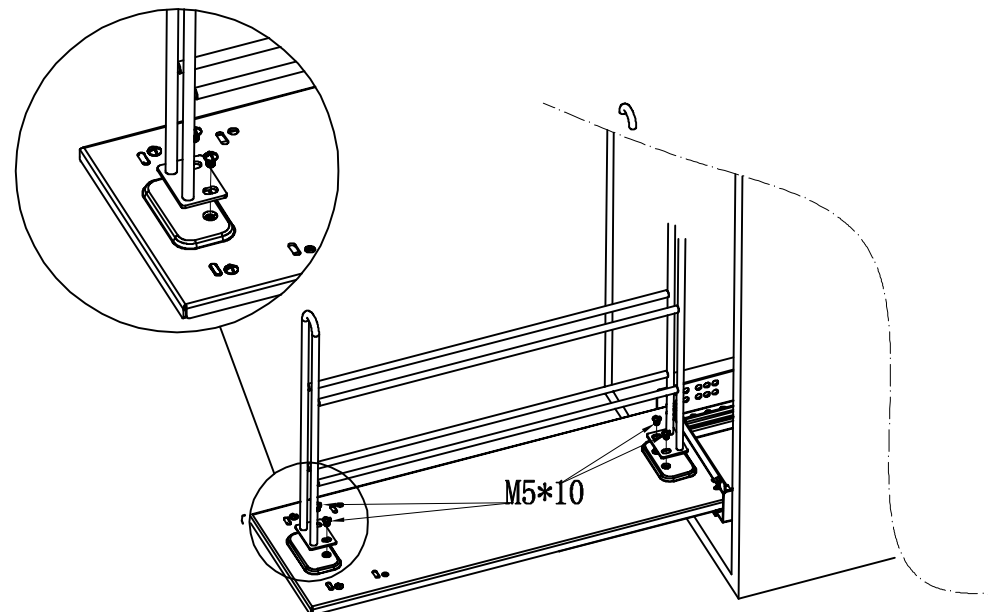
slider	X
16"	83
18"	31

b. Angas slider (16"/18")



slider	X
16"	82
18"	36

Step2: Install the support.



Step3: Install the basket.

